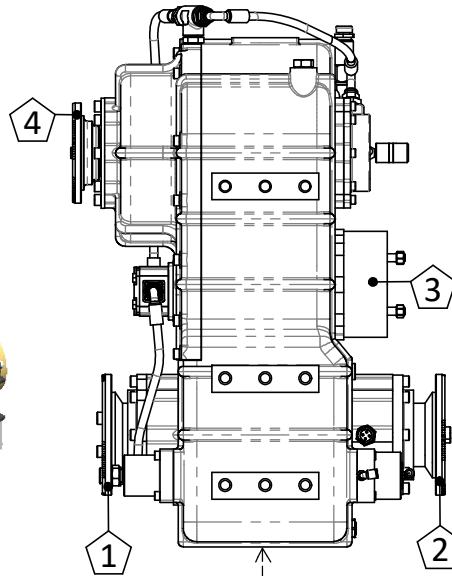
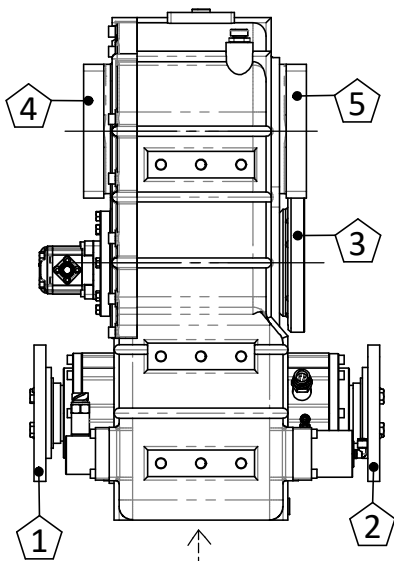
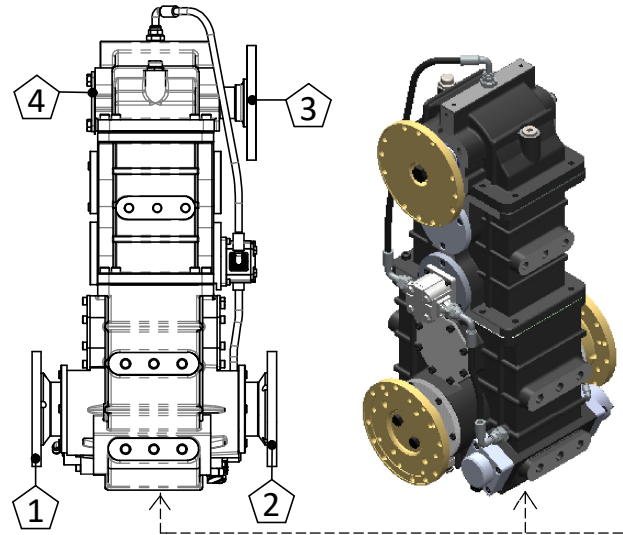


- * 3-5 Stage Vertical Heavy Transfer Case
- * Built-in lubrication pump and circuit
- * Pneumatic Shifter
- * 3 Output Feature



Structural Information	UARA.3008	UARA.3005	UARA.2007
Axis Count	3 Stage	3 Stage	3 Stage
Distance between top and bottom shafts	422 mm (16.6")	422 mm (16.6")	540 mm (21.26")
Max Power - Top output shafts UARA.3008 (4&5) / UARA.3005 (4) / UARA.2007 (3&4)	350 Kw (470 HP)	200 Kw (268 HP)	200 Kw (268 HP)
Max Torque (Intermittent)- Input Shaft (1) & (2)	37,280 Nm (27,485 lb.Ft)	37,280 Nm (27,485 lb.Ft)	33,400 Nm (25,000 lb.Ft)
Max Torque (Continues)- Input Shaft (1) & (2)	29,995 Nm (22,125 lb.Ft)	29,995 Nm (27,485 lb.Ft)	22,500 Nm (16,595 lb.Ft)
Speed Ratio - Input shaft (1) & (2)	1:1	1:1	1:1
Speed Ratio - Top output shaft UARA.3008 (4&5) / UARA.3005 (4) / UARA.2007 (3&4)	1/1 - 1/1.1 - 1/1.3 1/1.5 - 1/1.6 - 1/1.7	1/1.1 - 1/1.5	1/1 - 1/1.7
Weight - Approx.	275 Kg (600 lb.)	315 Kg (700 lb.)	205 Kg (450 lb.)
Max Speed - Top output shaft (4) & (5)	3500 Rpm	3500 Rpm	2800 Rpm
Clutch shift - Top output shaft UARA.3008- (4&5) / UARA.3005 (4) / UARA.2007 (3&4)	-----	Standart	-----
Connection options - Top&Centre output UARA.3008 (4&5) / UARA.3005 (4) / UARA.2007 (3&4)	SAE B-C-D - ISO pump & Flange	Flange	Flange